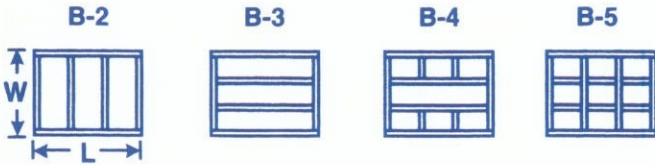
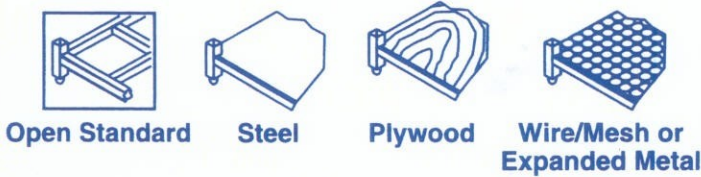


Standard and Custom-Built Racks

Base Frame Styles



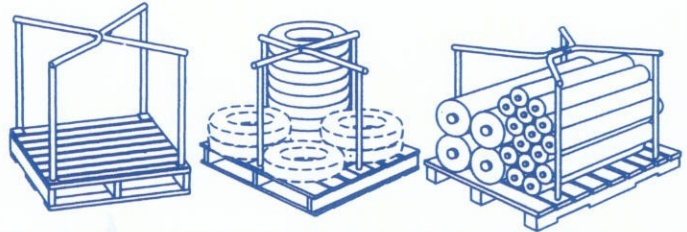
Decking Styles



Custom-designed bases and decks available

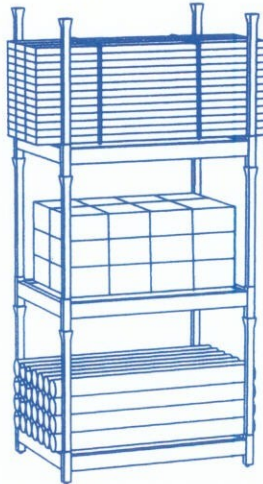
Pallet Stacking Frame

- Convert ordinary warehouse pallets
- Stores difficult-to-handle products
- All sizes standard
- Easily stored when not in use
- Accommodates thousands of pounds



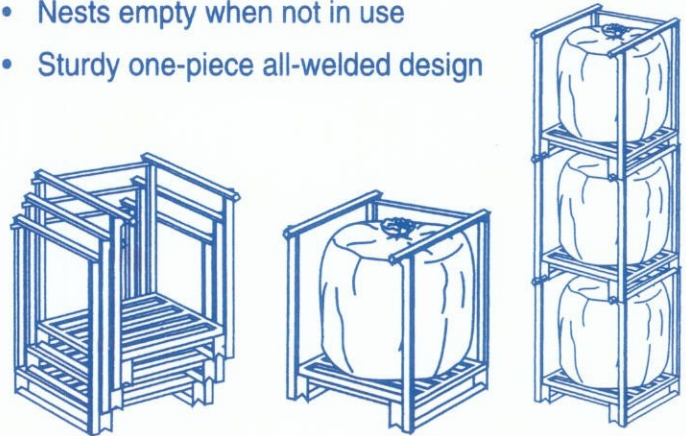
Stacking Rack

- Utilize air space, save valuable floor space for production
- Great for shipping containers
- Prevents product damage
- Move more material, cut handling time
- Safely stack up to 5 high
- Side or end frames available



Nestables – All-Welded Design

- Store odd-shaped bulk containers
- Protect crushable bags while stored or in transit
- Nests empty when not in use
- Sturdy one-piece all-welded design



FAX-BACK QUOTE SHEET Portable Stacking Racks

**We do custom racks!
Contact your dealer.**

I need information on:

- Stacking Rack Nestables - All Welded Design
 Pallet Stacking Frame Center - Post Model

Weight of your load _____

Contents _____

Number of units required _____

Stacked how high? _____

Dimension of base (L x W) _____ " x _____ "

- Inside or Outside
 Fixed or Removable

Height of posts above deck ** _____

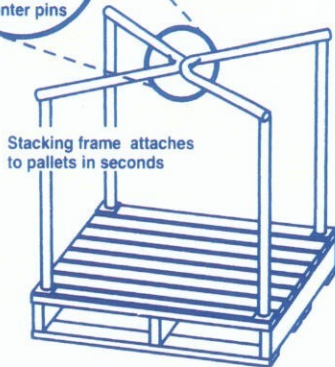
Length (Side) _____ " or Width (End) _____ "

Side or end frames: Height above deck _____ "

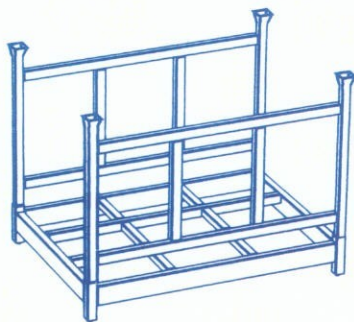
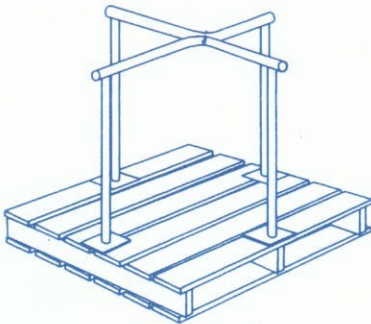
Circle Options: Casters Decking Stirrups Large Stacking Targets



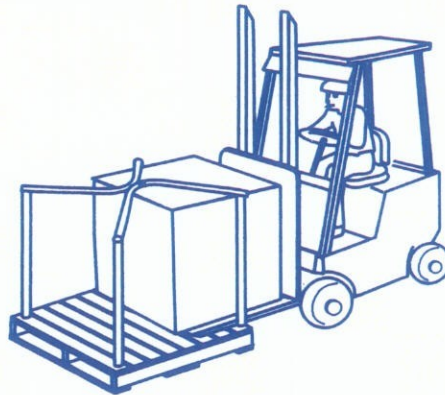
PORTABLE STORAGE RACKS



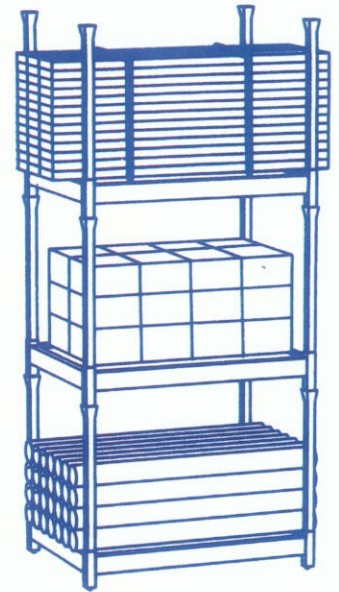
**Pallet
Stacking Frame**



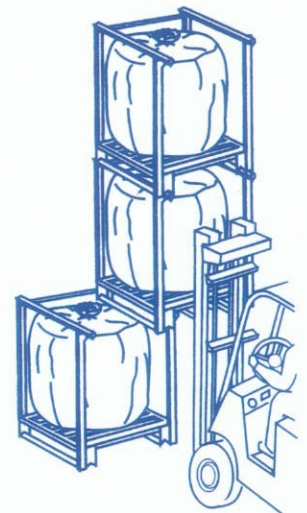
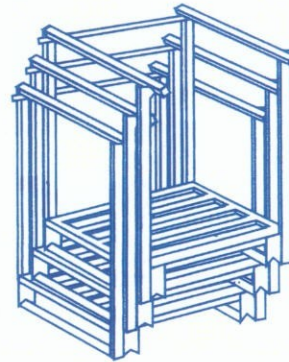
Dealer's Choice



- Move more material, cut handling time
- Utilize air space, save floor space
- Prevent product damage
- Powder coat paint
- Store difficult-to-handle items
- Knocks down or nests when empty
- Custom designs available



Stacking Rack



Nestables All-Welded Design

Over 30 years of experience in solving material handling needs.

**GATEWAY RACK
CORPORATION**